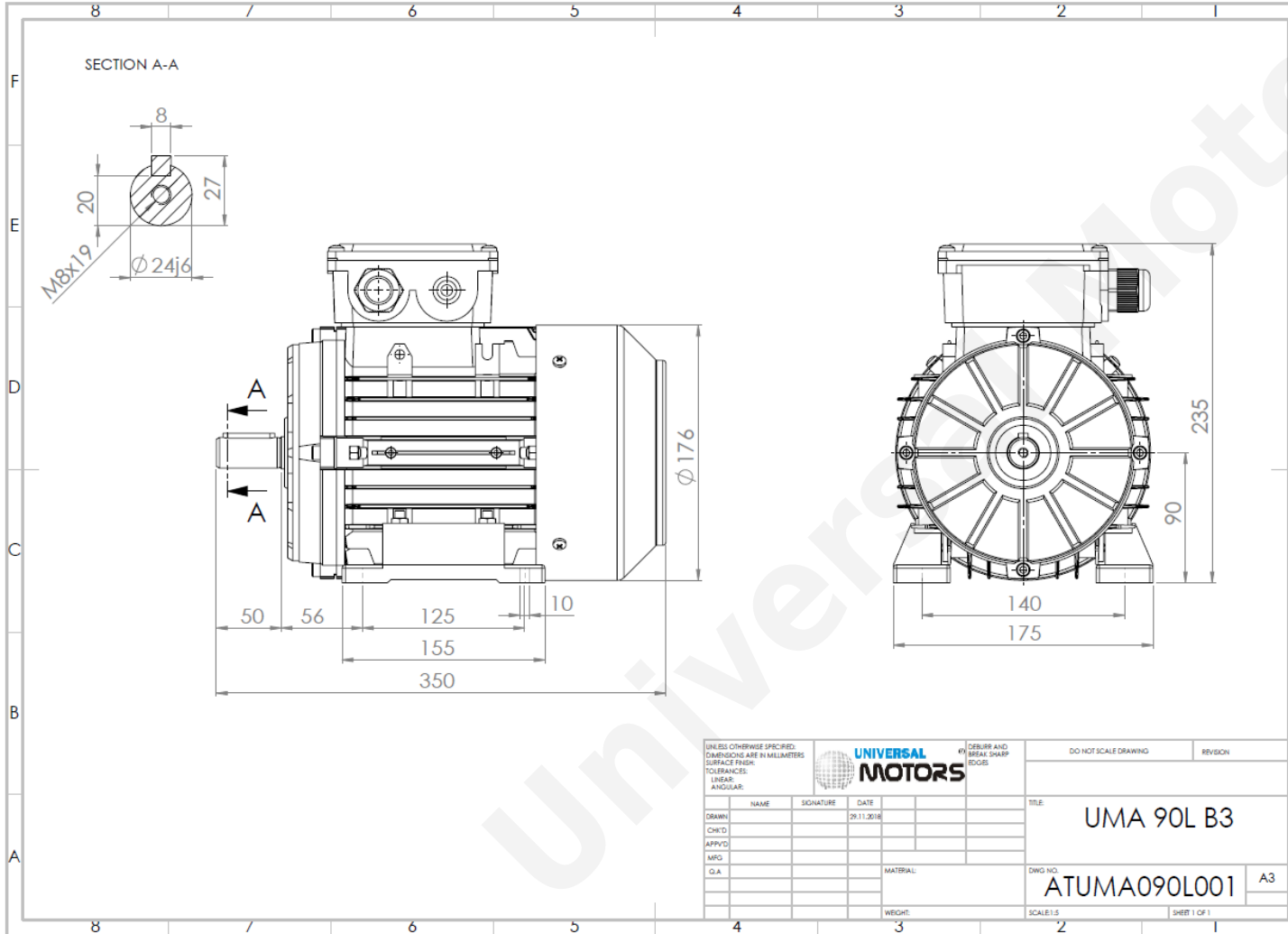




TECHNICAL DATA

Three Phase Electric Motors - Aluminum Frame
 UM2A 90L2-2
 3 kW / 4 Cv
 2880 RPM



Motor type:	UM2A 90L2-2
Output:	3 kW / 4 Cv
Speed (min ⁻¹):	2880 RPM
Frequency:	50 Hz
Voltage:	400 V
Current:	6.02 A
Power factor (Cos Ø):	0.85
Poles:	2
Insulation class:	F
Temperature rise Class:	B
Efficiency 50%:	85.2 %
Efficiency 75%:	85.8 %
Efficiency 100%:	84.6 %
Torque:	9.9 N.m
Tstarting/Tnominal:	3.4
Istarting/Inominal:	7.9
Tmaximum/Tnominal:	3.3
Noise:	74 Db(A)
Weight:	17.2 Kg
Brake AC:	AC4
Torque Brake DC:	16 N.m
Bearing DE:	6205 2Z
Bearing NDE:	6205 2Z
Torque Brake AC:	20 N.m
Brake DC:	REB-05-10

Regime - S1

Altitude - 1000m

Environment Temperature - 40°C

CONTACTS:

UNIVERSAL MOTORS Tel: +351 252 299 080
 Rua de São Brás,745 Fax: +351 252 299 089
 4480-782 VILA DO CONDE Mail: geral@universalmotors.pt

* References applied only in the UK